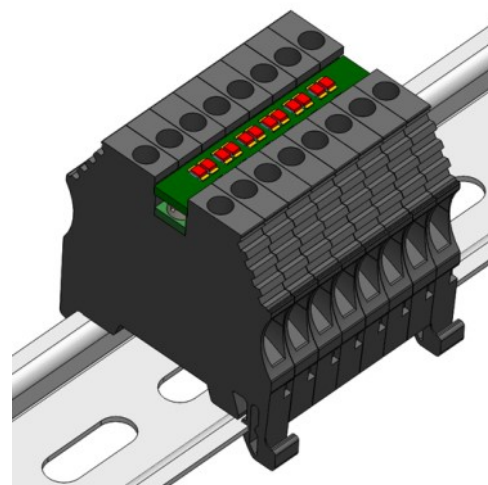




DR0001 - 35 mm DIN Rail LED Pilot/Indicators

Features

- Robust modular LED design for extended service life
- Low current demand ~10 mA per LED channel
- Mounts and locks to a standard 35 mm DIN rail
- 5 - 27 V AC/DC Bi-Polarity Operation
- Single point common terminal for all LED channels
- LED colors for each indicated channel are configurable
- Available in 1 - 6 LED channels per block
- Blocks can be stacked end to end to any desired light count



Ordering Information

Part Numbering

DR0001 - X - XX (i.e. DR0001-4-RR)

X = Number of LED Channels

XX = LED Pair colors each channel (+, - voltages respectively applied to a channel)

Common part numbers listed below:

(Other configuration are available on our website link located at bottom on each page)

DR0001 35mm DIN Rail Pilot / Indicator Lights Selector				
Part Number	LED Channels			LED Pattern
	#Channels	Channel Color (+, -)	#States	
DR0001-6-RR	6	Red,Red	2	●●●●●●●●
DR0001-6-GG	6	Green,Green	2	●●●●●●●●
DR0001-6-BB	6	Blue,Blue	2	●●●●●●●●
DR0001-6-YY	6	Yellow,Yellow	2	●●●●●●●●
DR0001-6-OO	6	Orange,Orange	2	●●●●●●●●
DR0001-6-WW	6	White,White	2	OO OO OO OO OO OO
DR0001-5-RR	5	Red,Red	2	●●●●●●●●
DR0001-5-GG	5	Green,Green	2	●●●●●●●●
DR0001-5-BB	5	Blue,Blue	2	●●●●●●●●
DR0001-5-YY	5	Yellow,Yellow	2	●●●●●●●●
DR0001-5-OO	5	Orange,Orange	2	●●●●●●●●
DR0001-5-WW	5	White,White	2	OO OO OO OO OO



DR0001 - 35 mm DIN Rail LED Pilot/Indicators

DR0001 35mm DIN Rail Pilot / Indicator Lights Selector				
Part Number	LED Channels			LED Pattern
	#Channels	Channel Color (+, -)	# of States	
DR0001-4-RR	4	Red, Red	2	
DR0001-4-GG	4	Green, Green	2	
DR0001-4-BB	4	Blue, Blue	2	
DR0001-4-YY	4	Yellow, Yellow	2	
DR0001-4-OO	4	Orange, Orange	2	
DR0001-4-WW	4	White, White	2	OO OO OO OO
DR0001-3-RR	3	Red, Red	2	
DR0001-3-GG	3	Green, Green	2	
DR0001-3-BB	3	Blue, Blue	2	
DR0001-3-YY	3	Yellow, Yellow	2	
DR0001-3-OO	3	Orange, Orange	2	
DR0001-3-WW	3	White, White	2	OO OO OO
DR0001-2-RR	2	Red, Red	2	
DR0001-2-GG	2	Green, Green	2	
DR0001-2-BB	2	Blue, Blue	2	
DR0001-2-YY	2	Yellow, Yellow	2	
DR0001-2-OO	2	Orange, Orange	2	
DR0001-2-WW	2	White, White	2	OO OO
DR0001-1-RR	1	Red, Red	2	
DR0001-1-GG	1	Green, Green	2	
DR0001-1-BB	1	Blue, Blue	2	
DR0001-1-YY	1	Yellow, Yellow	2	
DR0001-1-OO	1	Orange, Orange	2	
DR0001-1-WW	1	White, White	2	OO
DR0001-6-GR	6	Green, Red	3 (Tri-State)	
DR0001-6-GY	6	Green, Yellow	3 (Tri-State)	
DR0001-6-LVL	6	Level Gauge	2	
DR0001-6-SSF	6	Start/Stop/Fault	2	
DR0001-6-SS	6	Start/Stop	2	



DR0001 - 35 mm DIN Rail LED Pilot/Indicators

Wiring / Connections

