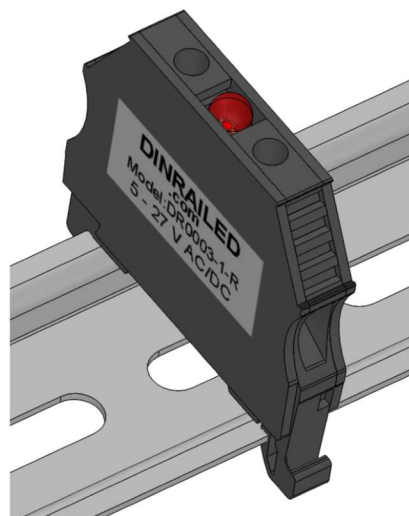




## DR0003 - 35 mm DIN Rail LED Pilot/Indicators

### Features

- Robust modular LED design for extended service life
- Low current demand ~10 mA
- Mounts and locks to a standard 35 mm DIN rail
- 5 - 27 V AC/DC Bi-Polarity Operation
- LED colors for each indicated channel are configurable
- Blocks can be stacked end to end to any desired light count
- Manufactured and sold in the USA



### Ordering Information

#### Part Numbering

DR0003 - 1- X (i.e. DR0003-1-R)

1 = Number of LED Channels

X = LED color

Common part numbers listed below:

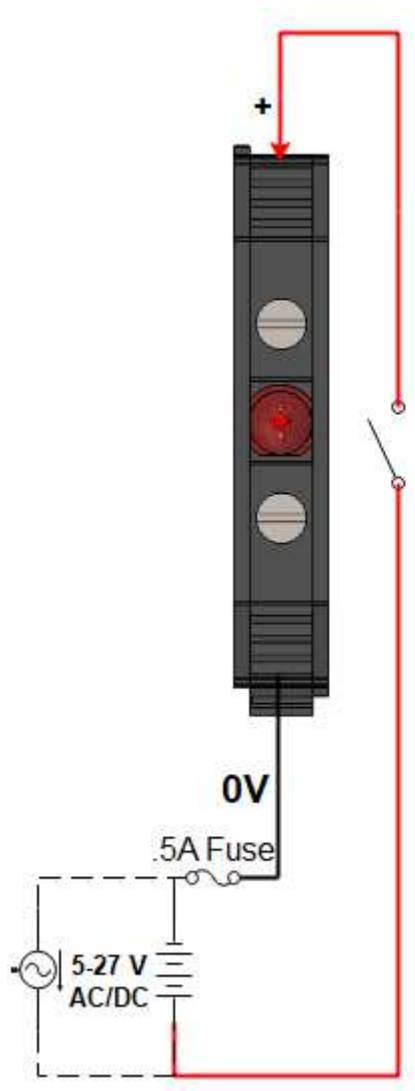
(Other configuration are available on our website link located at bottom on each page)

DR0003 35mm DIN Rail Pilot / Indicator Lights Selector				
Part Number	LED Channels			LED Pattern
	#Channels	Channel Color (+, -)	#States	
DR0003-1-R	1	Red	2	•
DR0003-1-G	1	Green	2	•
DR0003-1-B	1	Blue	2	•
DR0003-1-A	1	Amber (Yellow)	2	•
DR0003-1-W	1	White	2	○

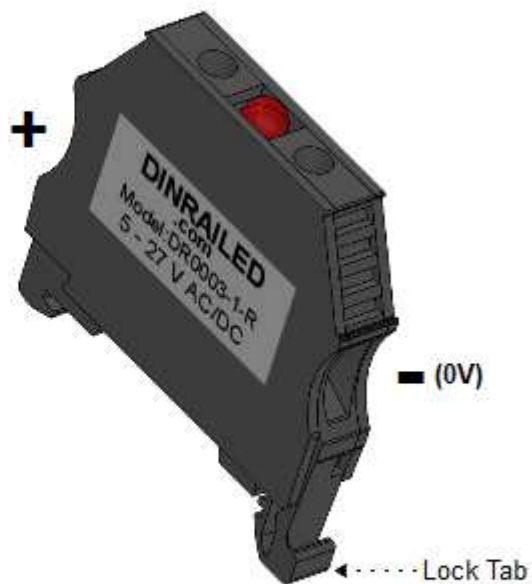


# DR0003 - 35 mm DIN Rail LED Pilot/Indicators

## Wiring / Connections



DC Voltage Connection





# DR0003 - 35 mm DIN Rail LED Pilot/Indicators

## Mechanical/Dimensions

